



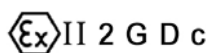
Ball Valves PN 20/50 (Class 150/300) AIT & IIT Construction (Carbon & Stainless Steel)



Fig. 1515/1530

API 6D and Fire Safe

Manufacturing program:



LICENSE NO. 6D-0197

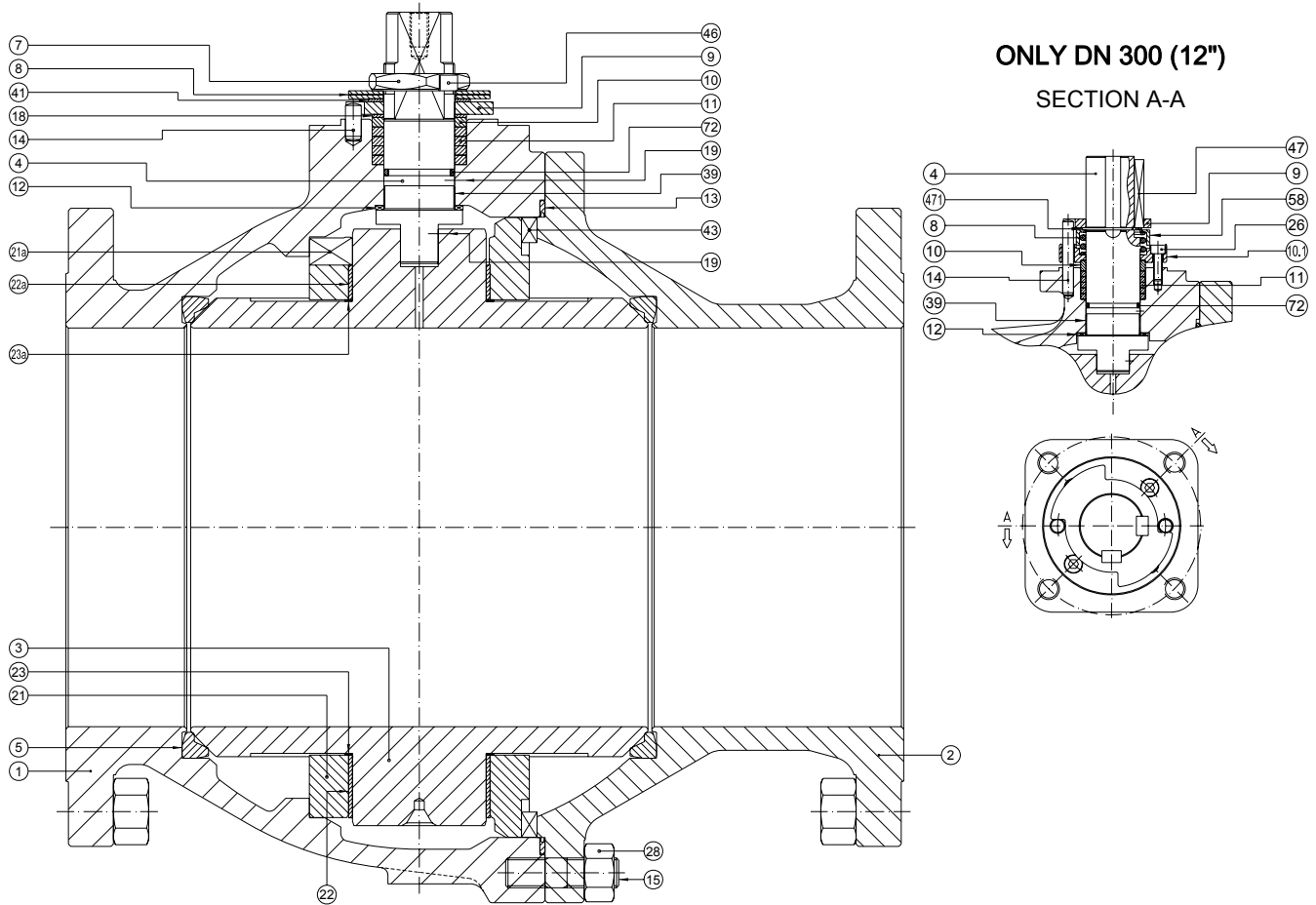
Quality & Environmental Management:





Ball Valves PN 20/50 (Class 150/300)

DN 250 - 300 (10" – 12") PN 20 (Class 150)
 DN 200 - 300 (8" – 12") PN 50 (Class 300)
 Parts and materials



ITEM	Description	Material		ITEM	DESCRIPTION	MATERIAL	
		AIT	IIT			AIT	IIT
1	Body	A 216 Gr. WCB (C ≤ 0,25%)	A 351 Gr. CF8M	19	Antistatic device		Stainless St.
2	Body connector	A 216 Gr. WCB (C ≤ 0,25%)	A 351 Gr. CF8M	21 /21a	Ball Trunnion		AISI 316
3	Ball		A 351 Gr. CF8M	22 /22a	Trunnion Bearing		PTFE + 50% SS
4	Stem		A 479 Tp.316	23	Bearing		PTFE
5	Seat ring	PTFE	PTFE	26	Bolt	DIN 912 8.8 Zinc plated	DIN 912 A2
7	Gland nut	Zinc plated carbon steel	AISI 303	28	Nut	A 194 Gr. 2HM	A 194 Gr. 8M
8	Disk spring	Carbon St.	E.N.P. Carbon St.	39	Stem Bushing		25% G.F. PTFE*
9	Stop plate	Carbon St.	AISI 304	41	Spacer	Carbon St.	Stainless St.
10	Gland	AISI 303	AISI 316	43	Key		AISI 316
10.1	Gland	AISI 303	AISI 316	46	Locking washer		AISI 304
11	Gland packing		Graphite	47	Key		AISI 316
12	Stem thrust seal		25% G.F. PTFE	58	Spring Protection	Carbon St.	Stainless St.
13	Body connector seal		AISI 316L + Graphite	72	O Ring		FKM
14	Stop pin	Carbon St.	Stainless St.	89	Identification plate		Stainless St.
15	Stud	A 193 Gr. B7M	A 193 Gr. B8M	471	Retainer	Steel	Stainless St.
18	Thrust washer		25% G.F. PTFE				

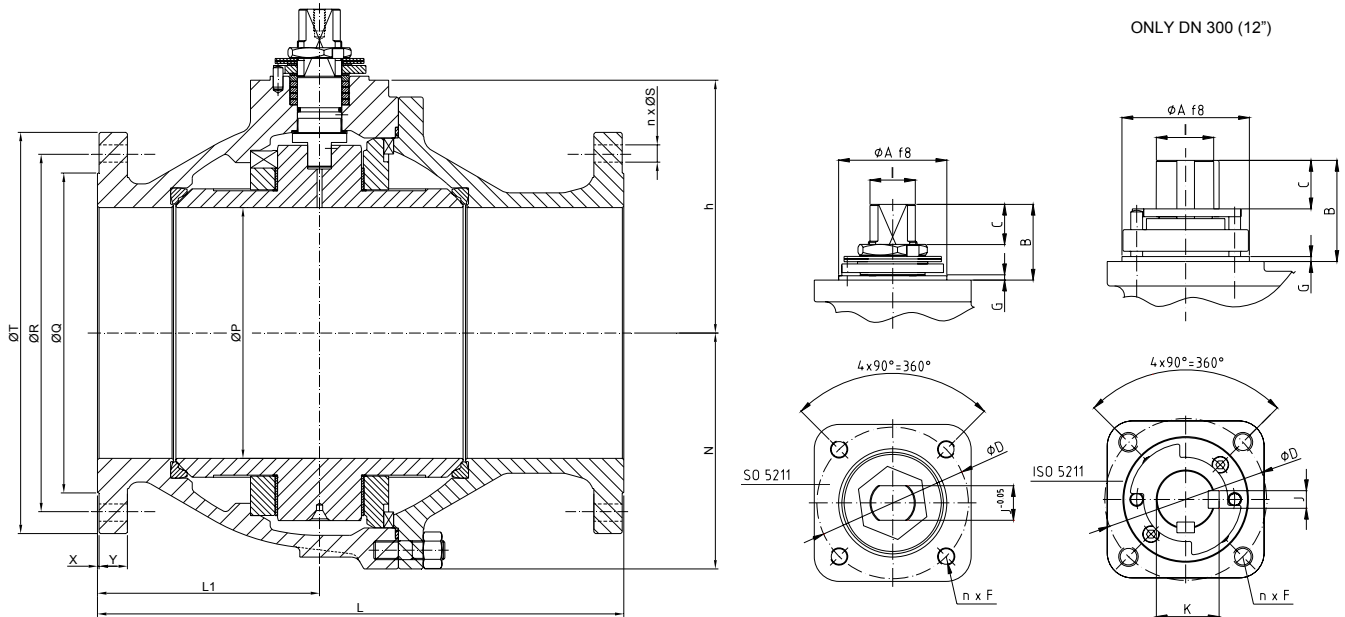
* AISI 316 + PTFE only in DN300 (12")



Ball Valves PN 20/50 (Class 150/300)

DN 250 - 300 (10" – 12") PN 20 (Class 150)
DN 200 - 300 (8" – 12") PN 50 (Class 300)

Dimensions



Serie 1515 (Class 150)

DN	ØP	L	L1	ØQ	ØR	n x ØS	ØT	X	Y	h	N	WEIGHT
250 (10")	254	533	225	324	362	12x25,4	406	1,6	28,7	256	239	237
300 (12")	305	610	270	381	431,8	12x25,4	483	1,6	30,2	297	287,5	357

(*) Dimensions in mm and weight in kg.

Serie 1530 (Class 300)

DN	ØP	L	L1	ØQ	ØR	n x ØS	ØT	X	Y	h	N	WEIGHT
200 (8")	203	502	239	270	330,2	12x25,4	381	1,6	39,6	233	208	189
250 (10")	254	568	225	324	387,4	16x28,4	445	1,6	46,2	256	252,5	301
300 (12")	305	648	315	381	450,9	16x31,8	521	1,6	49,2	310	300	520

(*) Dimensions in mm and weight in kg.

Actuator connection

DN	ISO 5211	ØA	B	C	ØD	n x F	G	I	J	K
200 (8")	F14	100	70	37	140	4xM16	4	M45x2	32	---
250 (10")	F14	100	70	37	140	4xM16	4	M45x2	32	---
300 (12")	F16	130	103	49,35	165	4xM20	5	60	18	64,2

(*) Dimensions in mm



Ball Valves PN 20/50 (Class 150/300)

DN 250 - 300 (10" – 12") PN 20 (Class 150)

DN 200 - 300 (8" – 12") PN 50 (Class 300)

General Characteristics, Torque&KV, P&T Rating

GENERAL CHARACTERISTICS	Fig.1515/1530 Series SBF	Split Body	Trunnion B all	Full Bore	
DESIGN STANDARDS					
Valves design	API 6D	ASME B16.34	BS 5351	NF E 29-470	
Body design	ASME VIII Div.1				
Shell thickness	ASME B16.34	BS 5351			
Flanges	ASME B16.5 Raised face				
Face to face dimensions	ASME B16.10 Long pattern	API 6D	EN 558-2 Series 3, 4 & 12		
Actuator mounting flange	ISO 5211				
Wetted parts materials and bolting	NACE MR.01.75				
Shell finishing quality	MSS SP 55				
Marking	API 6D	BS 5351	NF E 29-470	CE - PED	EN 19
TESTS AND CERTIFICATES					
Quality Assurance	ISO 9001	API Q1	CE - PED		
Fire Safe certification	BS 6755 Part 2	API 6FA	ISO 10497		
Pressure testing	API 598	BS 6755 Part 1	ISO 5208	NF E 29-203	EN 12266
Other	ISO 14001	ATEX			

Torque Values in Nm

VALVE SIZE	AT DIFFERENTIAL PRESSURE	
	Class 150	Class 300
	20 bar	55 bar
DN 200 (8")		1280
DN 250 (10")	1280	1480
DN 300 (12")	2000	2550

Kv Values in m³/h

DN 200 (8")	DN 250 (10")	DN 300 (12")
9000	15000	20800

Pressure-Temperature

For A216 Gr. WCB only. For other materials consult ASME B16.34

